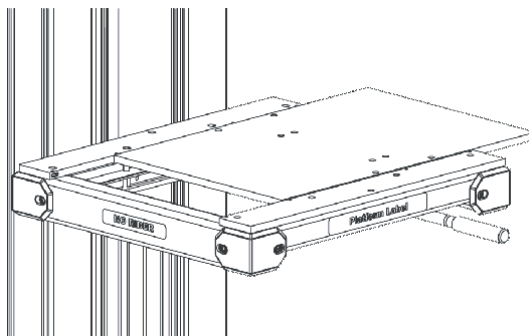
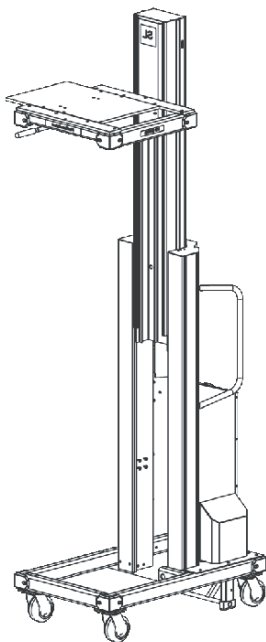


## SL500 Server Lifter



### Features

- Electrically powered, heavy duty 12V lift
  - Lifts up to 500 lbs / 136kg
  - 8' / 2.4m lifting height
  - 2 vertical positioning controls for easy side access
  - Dual speed positioning for incremental control
  - 16 ft/min / 4.88 m/min lifting speed
- Easy-glide side-shifting platform
  - Shelf travels up to 6" sideways for easy loading
  - Pull-out, retractable handle
  - Multi-position side shifting platform
- Foot activated stabiliser brake & release for secure loading & unloading
- 4 easy swivel casters with swivel lock on front
- 8 protective corner bumpers
- Wobble-free heavy duty telescoping mast to resist twisting
- Automatic safety stops
- Rechargeable deep cycle, leak-proof, sealed AGM battery
  - UL listed, built-in, solid state battery charger with cord
  - Cord management sleeve
- Secure key lock switch
- Steel & aluminium construction
- Shipped fully assembled – simply charge battery & use
- Adjustable tie-downs available



## Technical Details

Product	Imperial	Metric
Height	5' 10"	1.778m
Length	3' 5"	1.04m
Width	2' 5/8"	62.5cm
Weight	350lbs	158.76kg
Max lifting height	8'	2.44m
Loading capacity - centre	500lbs	226.8kg
Loading capacity - edge	300lbs	136.08kg

### Platform Specifications

Height – extended	8'	2.44m
Height – stowed	1' 1"	33cm
Depth	3' 1/2"	8.9cm
Length	2' 5/8"	62.5cm
Width	2' 5/8"	62.5cm
Moving platform length	2'	60.96cm
Moving platform width	16"	40.64cm
Moving platform extended	6"	15.24cm
Pull-out handle extension	6"	15.24cm
Pull-out handle diameter	1"	2.54cm

### Base Specifications

Height	10"	25.4cm
Length	3' 5"	1.04m
Width	2' 5/8"	62.5cm

### Miscellaneous

Lifting speed	16 ft/min	4.88 m/min
Ground clearance - caster	6"	15.24cm
Ground clearance - brake	1 1/4"	3.175cm
Caster diameter	5"	12.7cm
Caster width	2"	5.08cm
Weight	350lbs	176.9kg
Cable breaking strength	4000lbs	1814.4kg